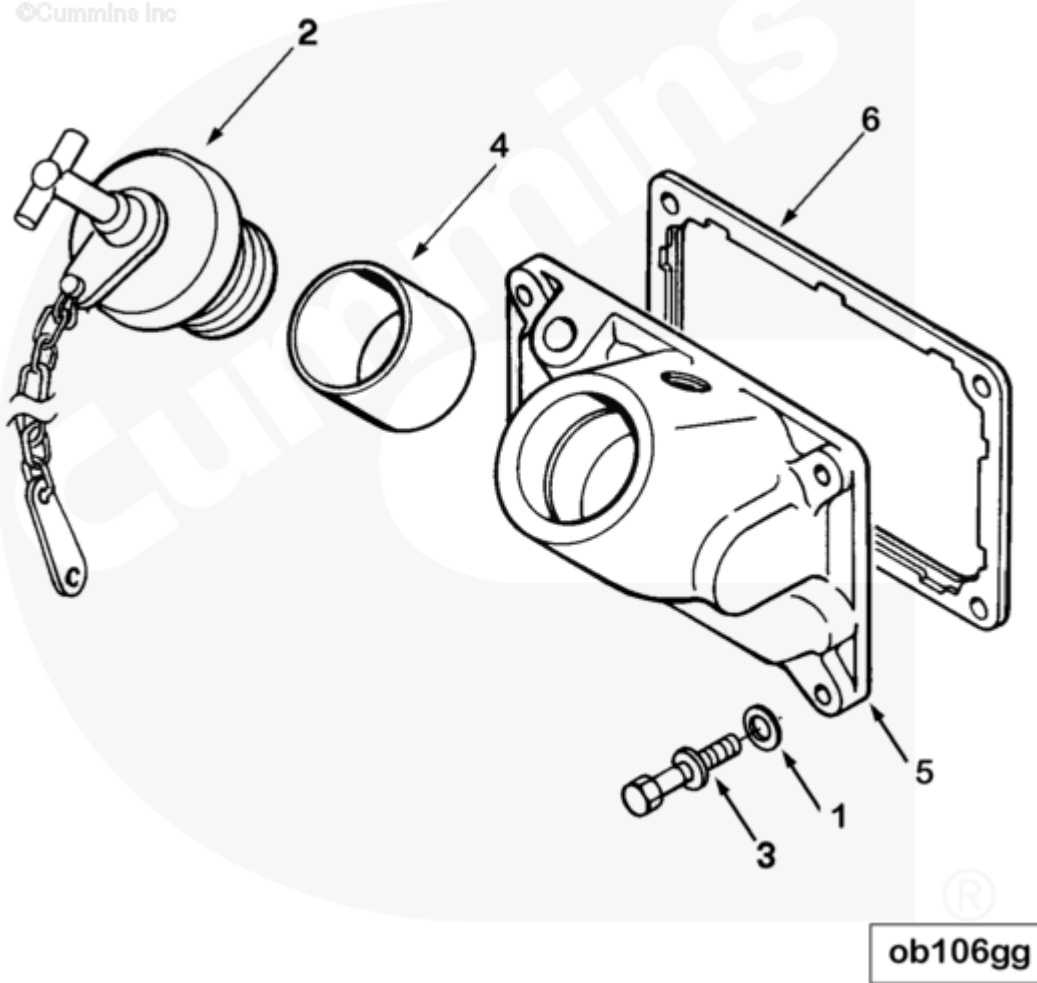




## Parts Catalog - Option Detail

Electronic Parts Catalog - Option Detail				
Option	Group	Graphic	Film Card	Date
OB1341-05	07.02	ob106gg	FF	20-SEP-99
<b>Engines</b>	G855, G855 CM558, GTA855 CM558 (CM2358) G101, N14 CELECT, N14 CELECT PLUS, N14 MECHANICAL, NH/NT 855, QSM11 CM876 M101, QSM11 CM876 M102M, QSN14 CM876 N103, QSN14 CM876 N105, QSNT14 CM876 N102			



[SMALL](#) | [MEDIUM](#) | [LARGE](#)

Cart	Ref No	Part Number	Part Description	Required	Remarks
<a href="#">View My Cart</a>					
		<a href="#">OB1341-05</a>	Oil Filler Arrangement		
					Oil Filler Arrangement
					Hand hole cover includes

					7 inch oil fill tube. Has
					provision for "press fit"
					oil gauge tube.
<input type="checkbox"/>	1	<a href="#">S 602</a>	Plain Washer	4	3/8 in.
<input type="checkbox"/>	2	<a href="#">107981</a>	Filler Cap	1	
<input type="checkbox"/>	3	<a href="#">3010596</a>	Captive Washer Cap Screw	4	3/8 - 16 x 1 1/4 in.
<input type="checkbox"/>		<a href="#">3044968</a>	Hand Hole Cover	1	
<input type="checkbox"/>	4	<a href="#">65527</a>	Oil Filler Tube	1	
	5	<a href="#">3044566</a>	Hand Hole Cover	1	
<input type="checkbox"/>	6	<a href="#">3068466</a>	Hand Hole Gasket	1	
<input type="checkbox"/>		<a href="#">3027935</a>	Decal	1	Not Shown in Graphic.

© 2019 Cummins Inc., Box 3005, Columbus, IN 47202-3005 U.S.A.  
Terms of Use and Disclaimers | Recommended System Requirements  
Need Assistance? Please click on the Contact Us button in the top right corner of any page.